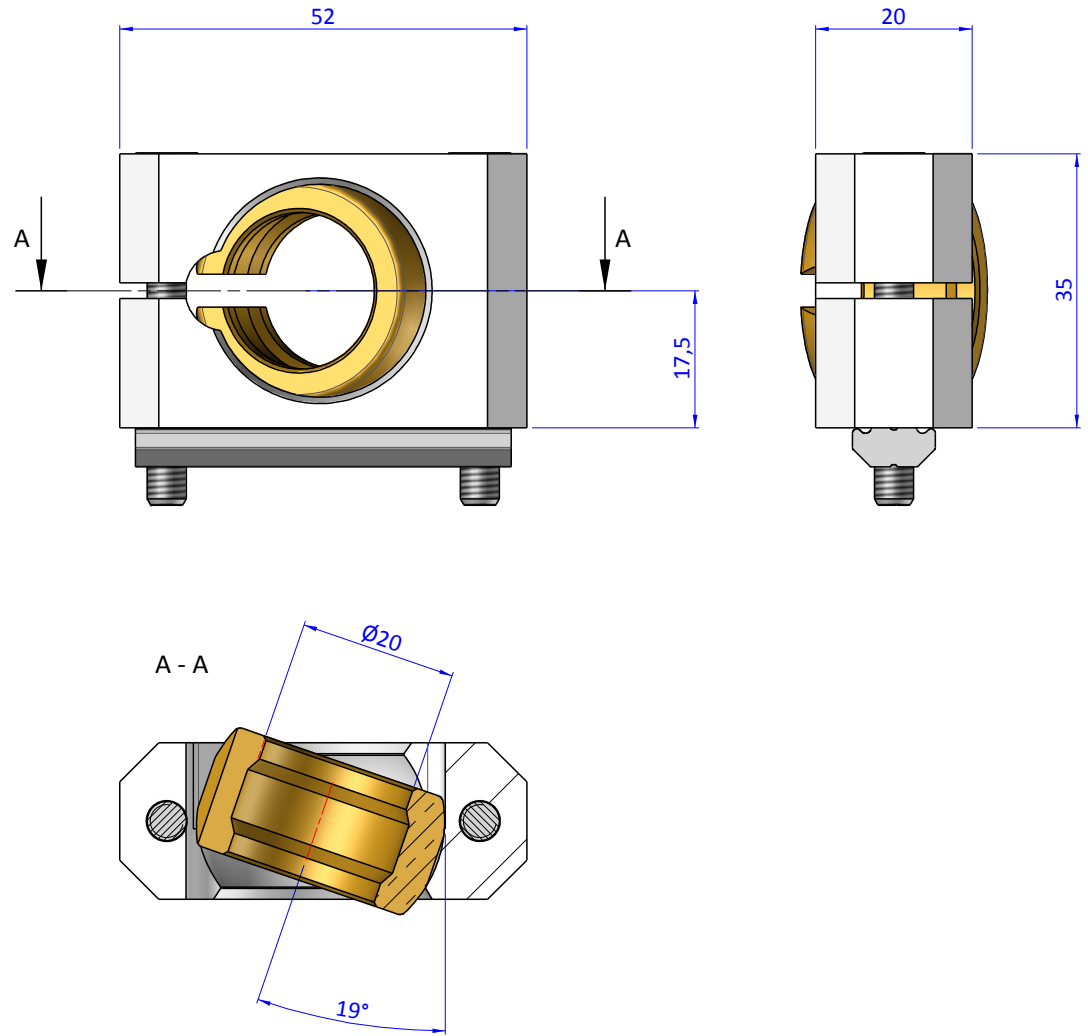
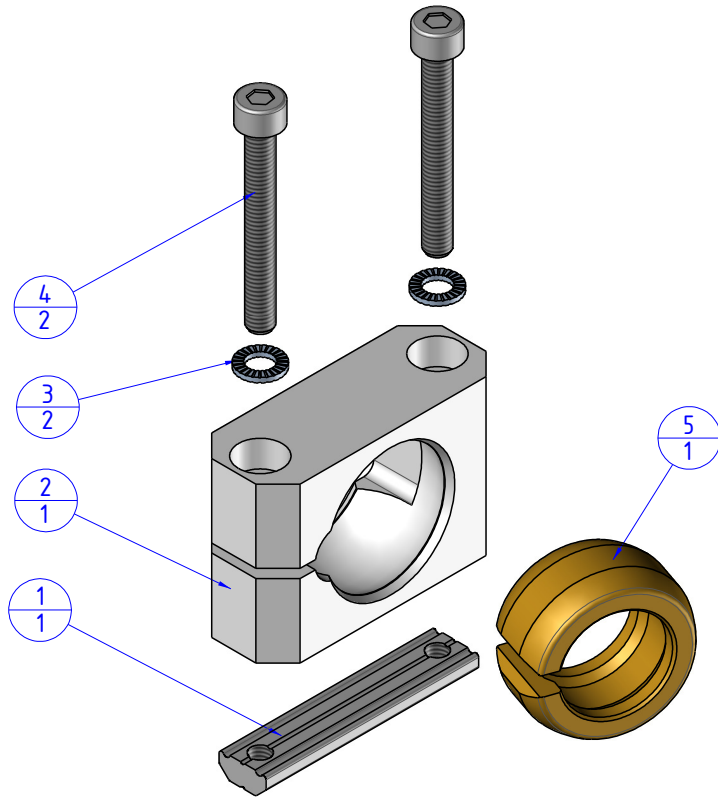


THE PROPERTY OF THE DRAWING IS ESTABLISHED BY LAW. IT IS FORBIDDEN TO PRODUCE OR SHOW IT TO THIRD PARTY, WITHOUT A WRITTEN AGREEMENT.

Item	Name	Q. ty
1	CA.GWP.5.40	1
2	KVB.KG.JU20	1
3	R.5.SCH	2
4	V.TCE5x40	2
5	WSL.KG.JU.20.3	1



Format A3

UNI 936-76

		DESIGNED FROM	REVIEW
		FP SERVICES	A
GENERAL TOLERANCE	DESCRIPTION	DATE	WEIGHT
UNI - ISO 2768	CA.KVB.KG.JU20	30/04/2016	0,113kg
CLASSE f		CODE	CA.KVB.KG.JU20